



ROOFING

SikaRoof® Versijack®

Height-Adjustable Pedestal System For Raised Pavers And Decking Floor



BUILDING TRUST



SikaRoof® VersiJack®

GENERAL SYSTEM INFORMATION / OVERVIEW

SikaRoof® VersiJack® consists of a range of eight pedestals that extend from 13 mm to 1014 mm. It is complemented by a comprehensive list of accessories to accommodate installations of various requirements. Engineered to reduce material, construction, and lifecycle costs, SikaRoof® VersiJack® pedestals offer a versatile and sustainable solution for supporting raised pavers and decking.

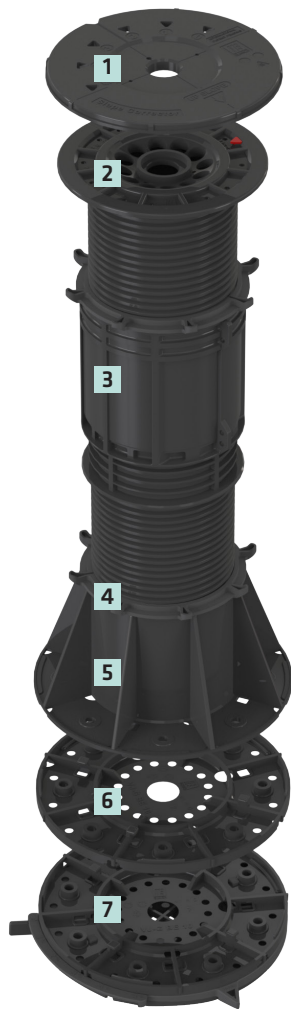
SikaRoof® VersiJack® provides the options of both top and bottom slope correction, compensating for gradients to create levelled surfaces. Using a Bottom Slope Corrector allows the pedestal to remain firmly upright on an incline.

SikaRoof® VersiJack® has a large flat base with rounded edges to prevent compromise of the waterproofing membrane. The perforated base prevents the breeding of insects resulting from ponding. Grooves allow the base to be cut to fit wall corners and edges.



SikaRoof® VersiJack®

GENERAL SYSTEM INFORMATION / OVERVIEW



1 Top Slope Corrector

Creates level surfaces by compensating for gradients up to 5%.

2 Pedestal Top

Designed to integrate seamlessly with all existing VersiJack accessories.

3 Barrel Extender

Requires only 3 extenders to reach a maximum height of 1014 mm.

4 Locking Ring

Locking rings on the pedestal top and barrel extender ensure individual pedestals are secured at the desired heights.

5 Pedestal Base

A large contact surface provides uniform weight distribution. Drainage holes prevent water pooling.

6 Base Extender

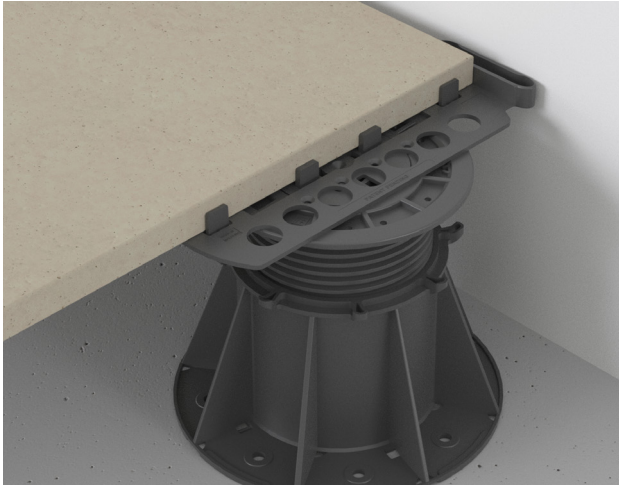
The clip-on base extender allows for simple and quick height increments.

7 Bottom Slope Corrector

Allows pedestals to remain firmly upright on inclines of up to 5%.

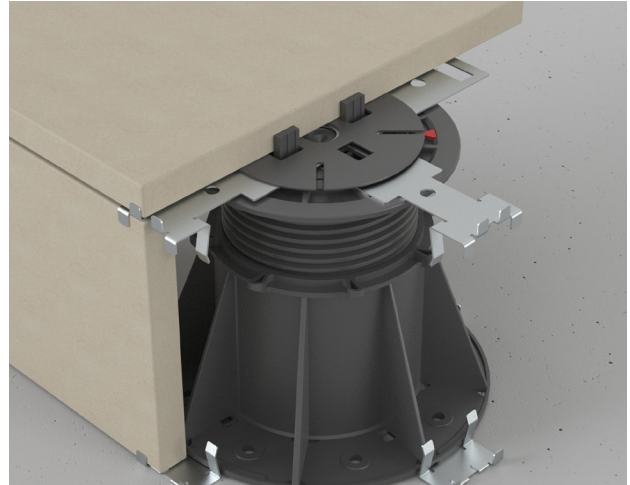
SikaRoof® VersiJack®

ACCESSORIES



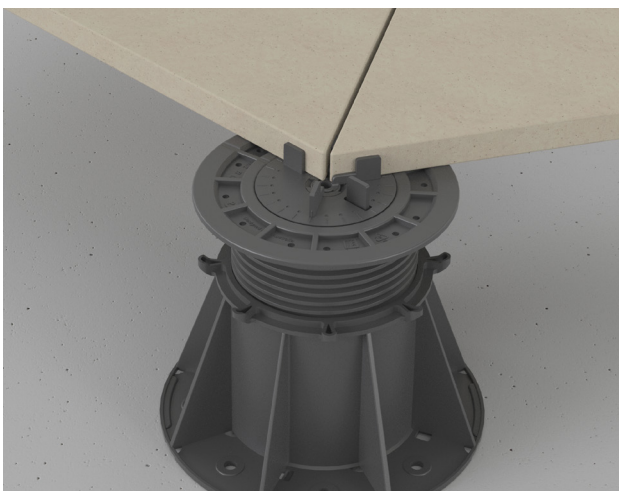
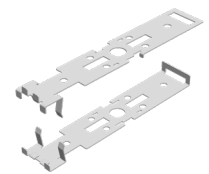
Wall Spacer

Wall Spacer serves as a permanent compressible buffer to allow for expansion, contraction, and paver movement.



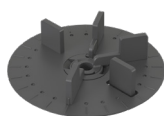
Vertical Edge Clips

Vertical Edge Clips allow pavers to be installed upright to create a closed edge installation.



Variable Angle Spacer Tab

Variable Angle Spacer Tab has rotatable posts to support up to 6 pavers with different corner angles.



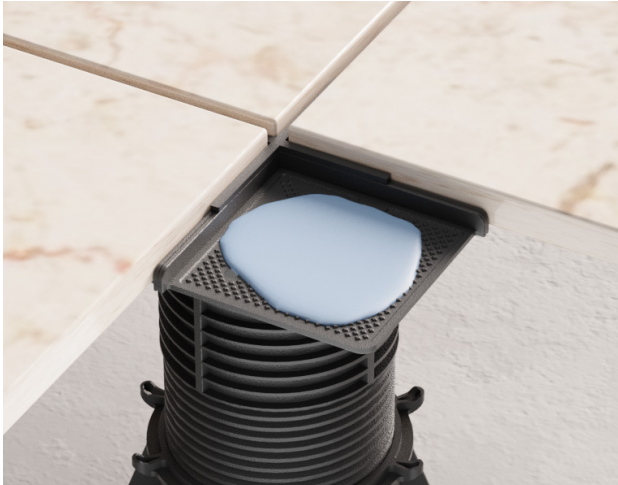
Bearer Holder

Bearer Holder keeps 35 mm to 80 mm bearers firmly centred in place on pedestals.



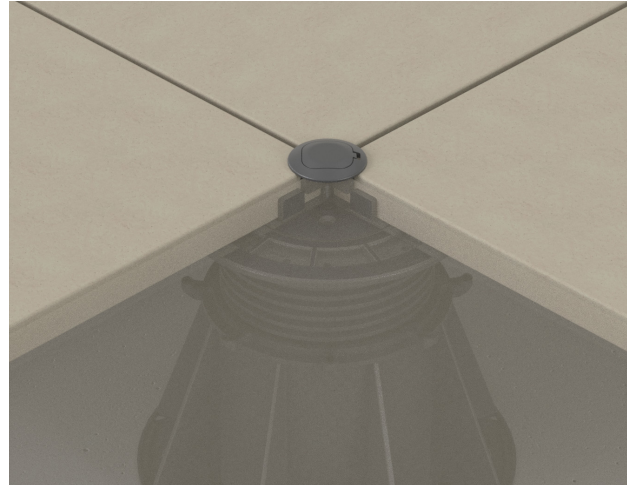
SikaRoof® Versijack®

ACCESSORIES



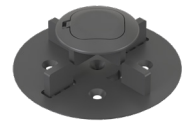
Concealed Paver Retainer

Concealed Paver Retainer increases wind uplift resistance for elevated roof pavers while remaining invisible.



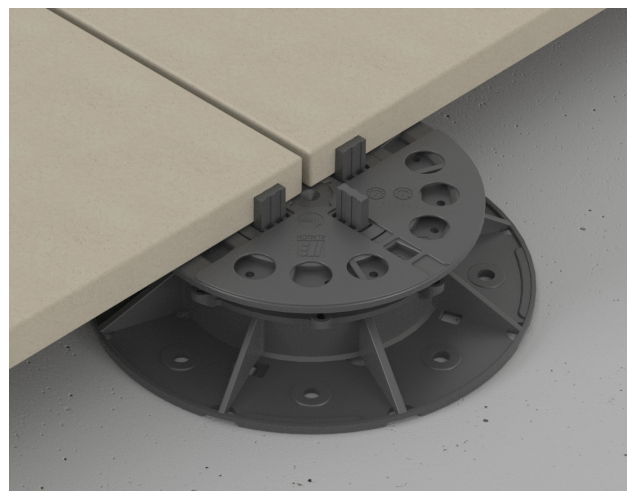
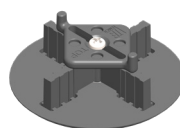
Exposed Paver Retainer

Exposed Paver Retainer increases wind uplift resistance for elevated roof pavers.



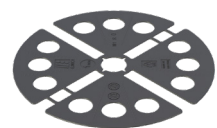
Timber Tile Fastener

Timber Tile Fastener is a hidden fastener for removable timber tile.



Pedestal Shim

Allows for minor height increments, as well as providing sound and vibration dampening.



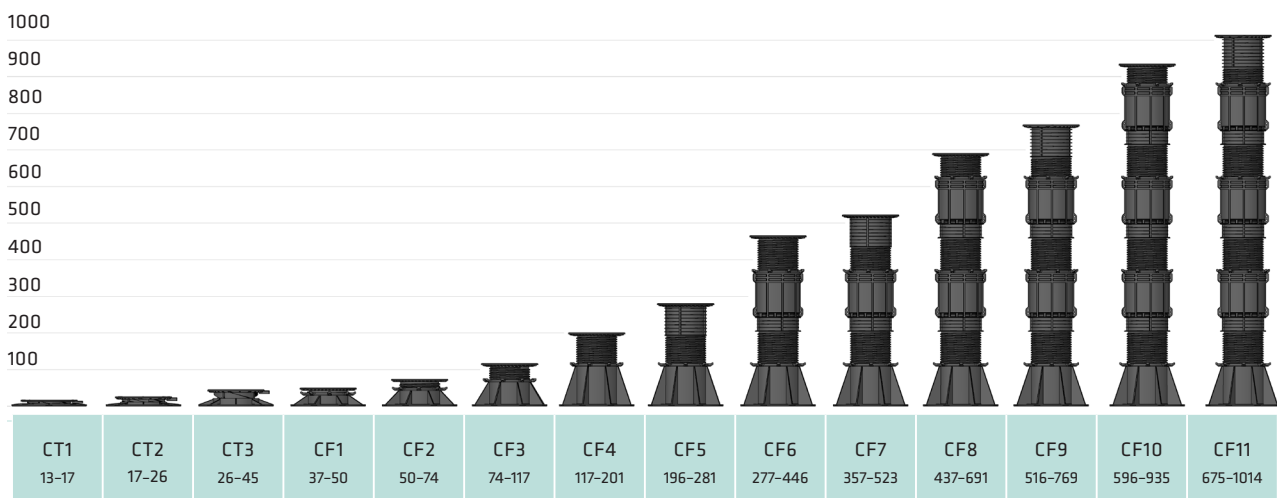
SikaRoof® Versijack®

BASIC DESIGN SPECIFICATIONS

Technical Specifications	Data
Material	PP
Height Range	13-1014 mm
Ultimate Compressive Strength ¹ - CT series (Max. height @5 mm displacement) - CF series (Max. height)	13-24 kN 15-19 kN
Design Compressive Strength	10 kN
Slope Correction - Top - Bottom	up to 5% up to 5%
Base - Diameter - Height extension	205 mm 10 mm
Spacer Tab Post - Height - Thickness	12 / 15 / 25 mm 2 / 3 / 4 / 5 / 6 / 8 / 10 mm (gap between pavers)
Bearer Holder	35 mm to 80 mm (bearer width)
Biological / Chemical Resistance	Unaffected by moulds and algae Good resistance to alkali and bitumen

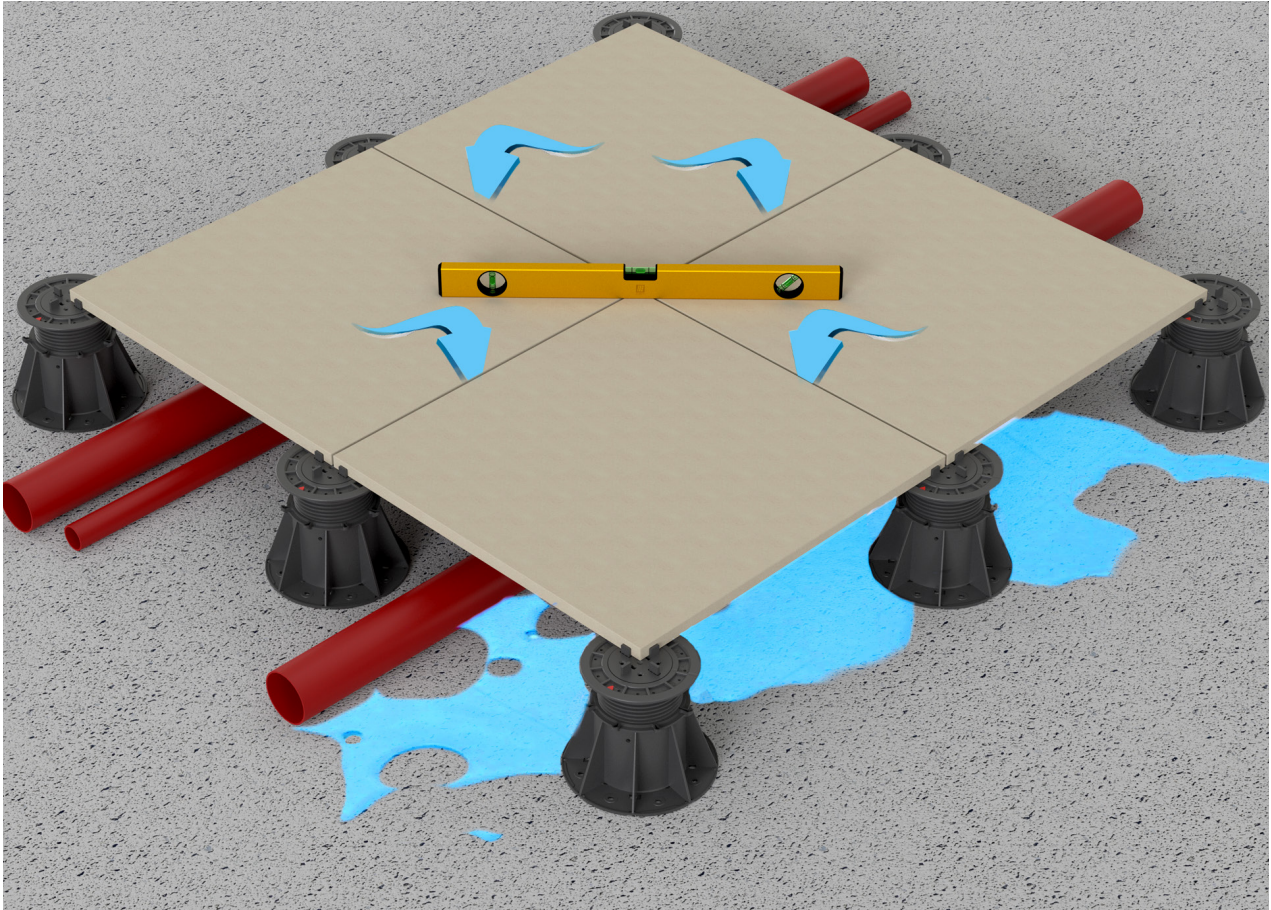
¹ varies with different height

HEIGHT TABLE (MM)



SikaRoof® VersiJack®

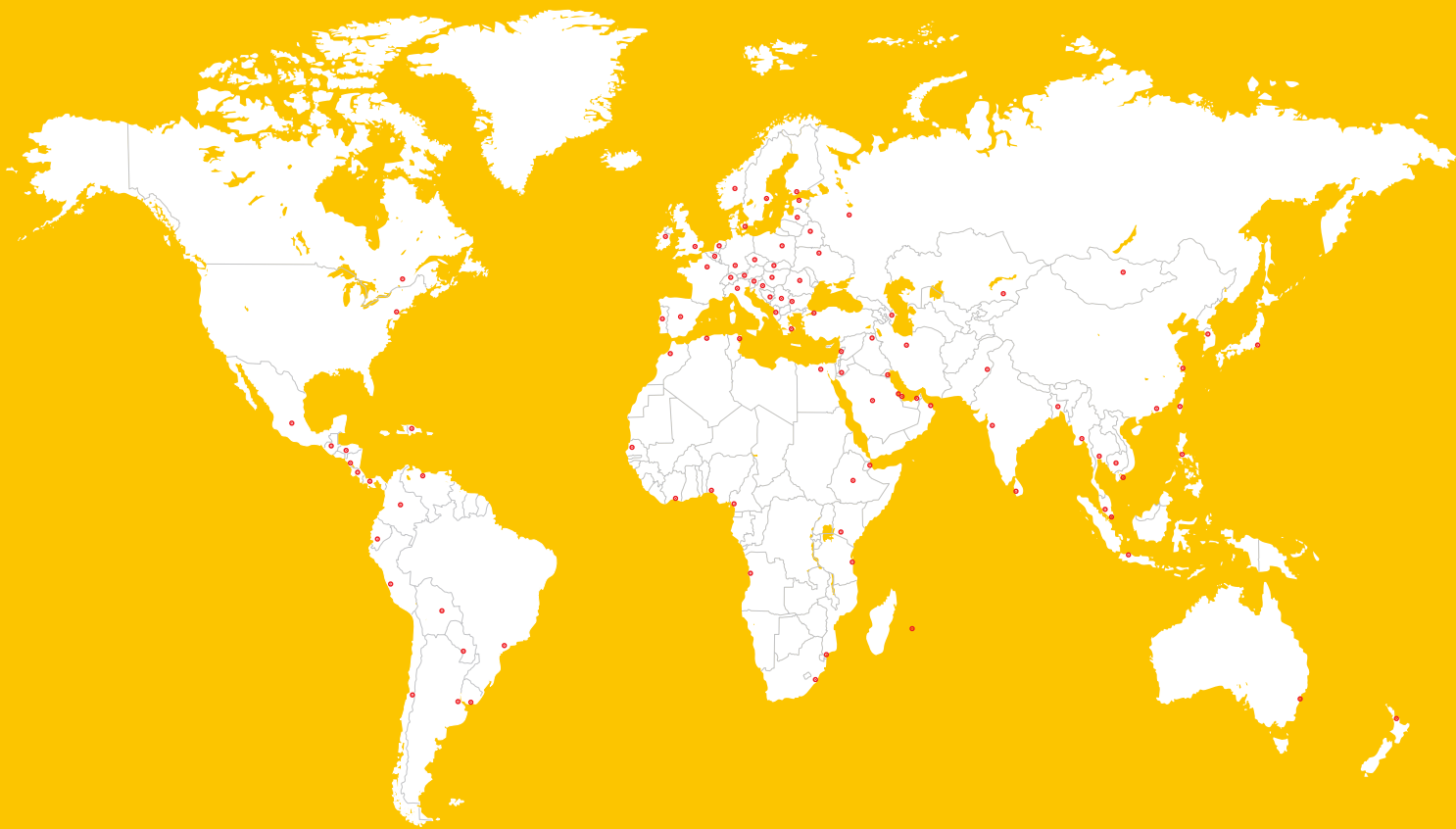
ADVANTAGES



- Conceals unsightly services
- Rapid drainage
- Quick installation with Turning Tool
- Creates usable space
- Ease of access
- Thermal insulation
- Acoustic insulation
- Recyclable components



GLOBAL BUT LOCAL PARTNERSHIP



FOR MORE PRODUCT INFORMATION:



WE ARE SIKA

Sika is a specialty chemicals company with a globally leading position in the development and production of systems and products for bonding, sealing, damping, reinforcing, and protection in the building sector and industrial manufacturing. Sika has subsidiaries in 103 countries around the world and, in over 400 factories, produces innovative technologies for customers worldwide. In doing so, it plays a crucial role in enabling the transformation of the construction and transportation sector toward greater environmental compatibility. With more than 33,000 employees, the company generated sales of CHF 11.20 billion in 2025.

Our most current General Sales Conditions shall apply.
Please consult the most current local Product Data Sheet
prior to any use.



Sika (Singapore) Pte Ltd

28 Tuas South Ave 8 Tel: +65 6861 0632
Singapore 637648 Fax: +65 6862 3915
Website: sika.com.sg Email: sales@sg.sika.com

BUILDING TRUST

